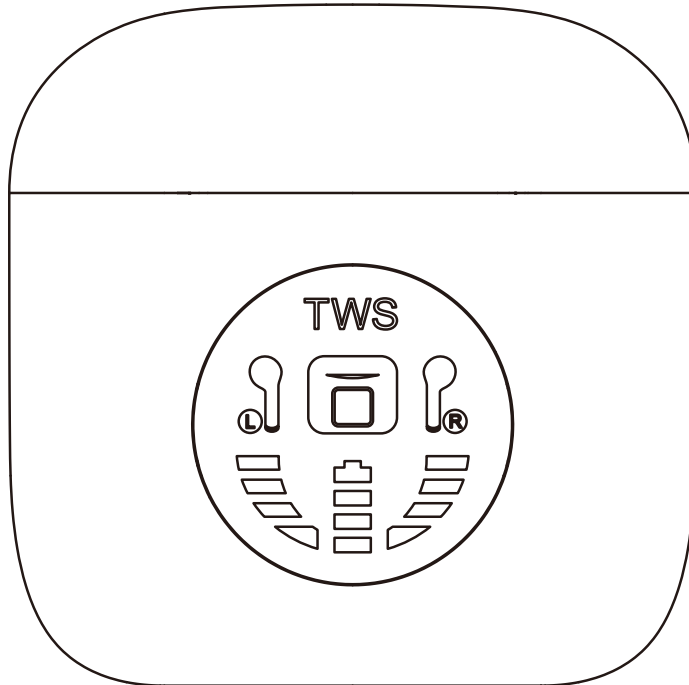


BWOO[®]

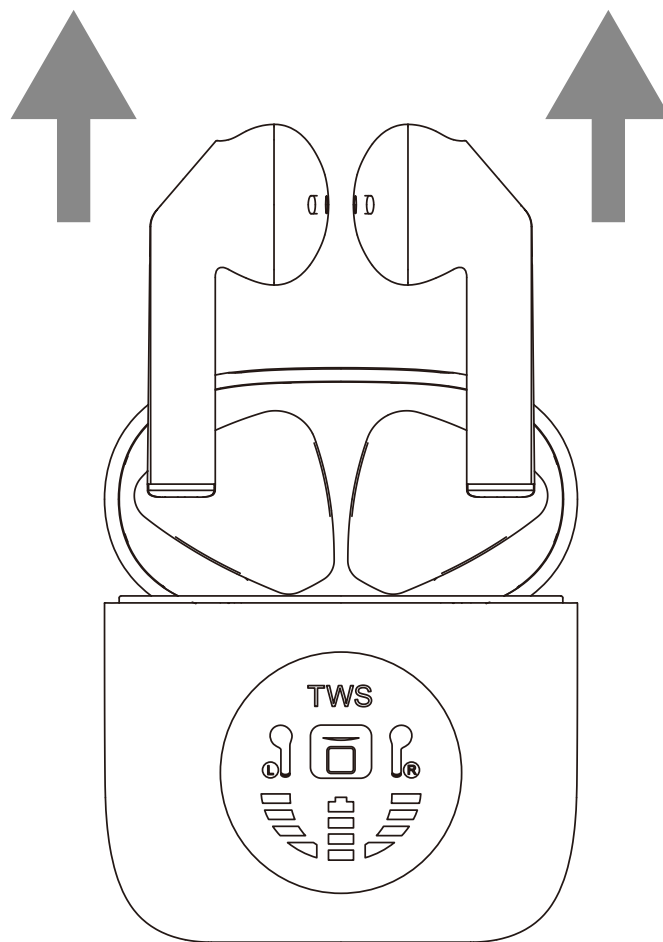
TRUE WIRELESS STEREO

BW51



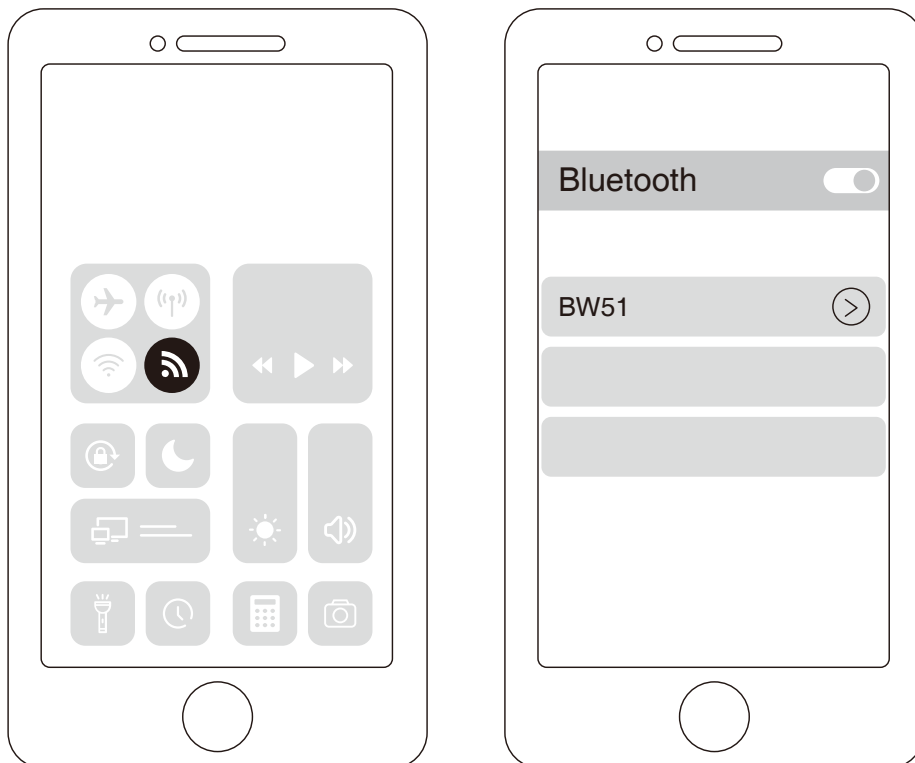
1. Power On, Pairing, And Connecting To Device

A. Automatic ON when BW51 is taken out of charging case



B. Tunebuds will automatically enter pairing mode. Turn on bluetooth on the mobile phone, click search for the device Choose “BW51” to connect.

Note: When BW51 and mobile phone are disconnected due to distance, Tunebuds will automatically attempt to reconnect for 3 minutes

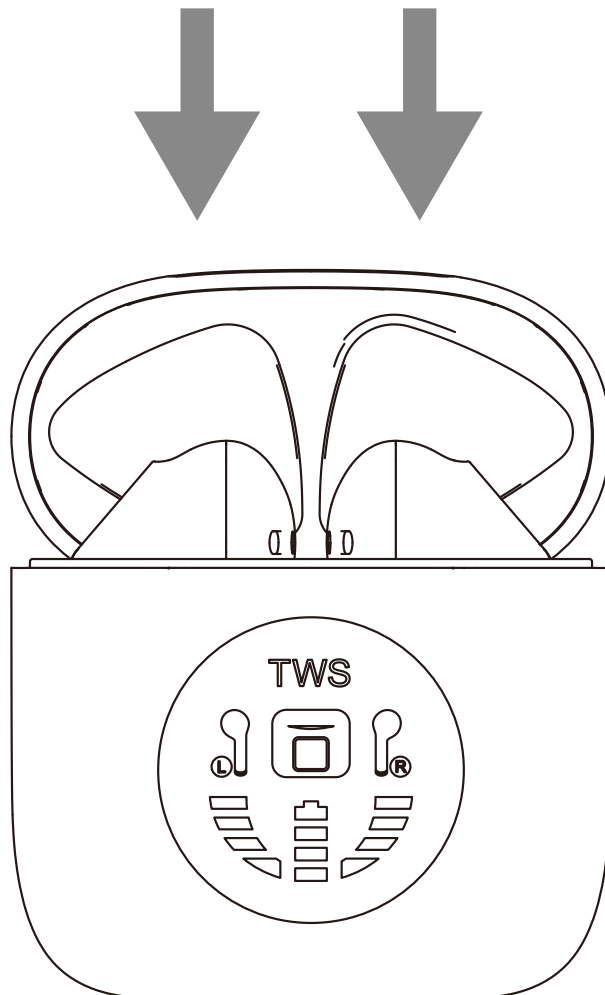


C. Or put it back in the charging case and close the lid.

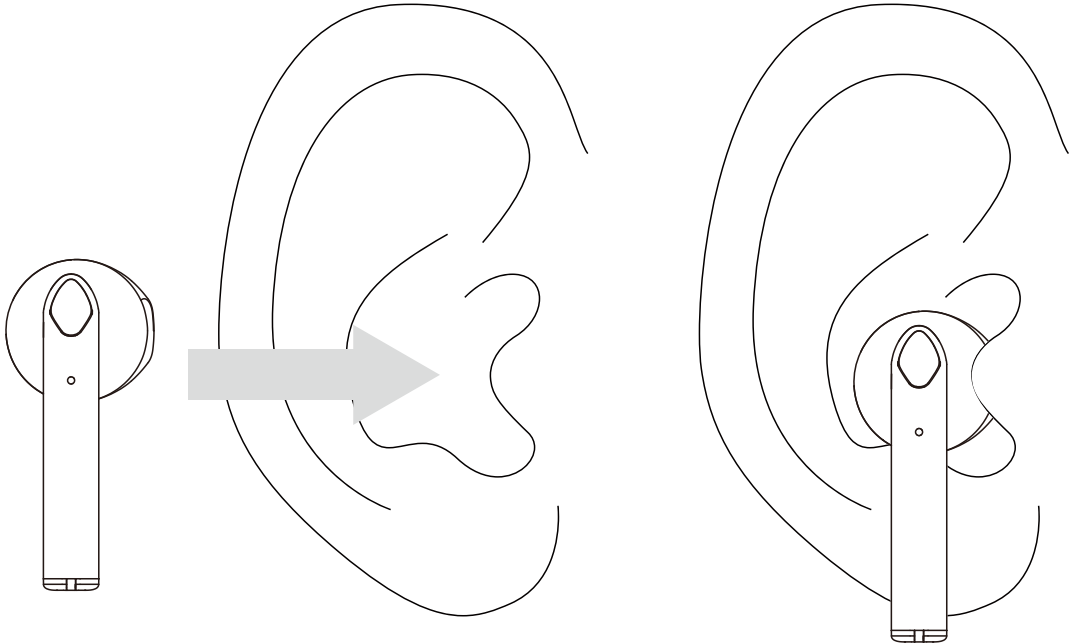
Tunebuds will automatically shut down and enter the charging mode.

Tunebuds will automatically turn-off if:

·there is no connection in 5 minutes, or when the battery voltage drops to 3V



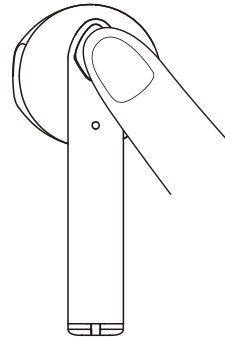
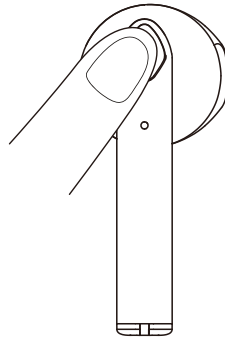
INSERT EARPHONES



MUSIC OPERATIONS

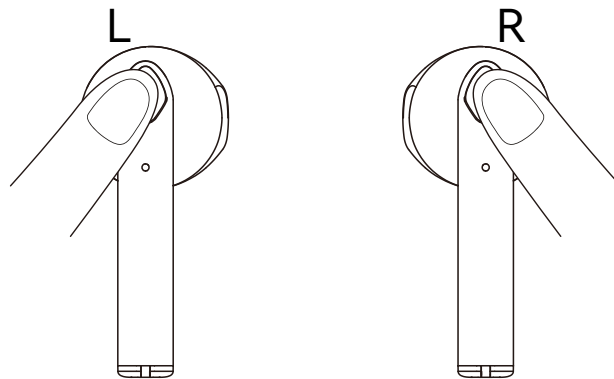
L

R



▶ Play/Pause	● Single press	● Single press
> Next	● ● ● Triple press	
< Previous		● ● Double press
Mode Conversion	● ● ● ● Four press	● ● ● ● Four press

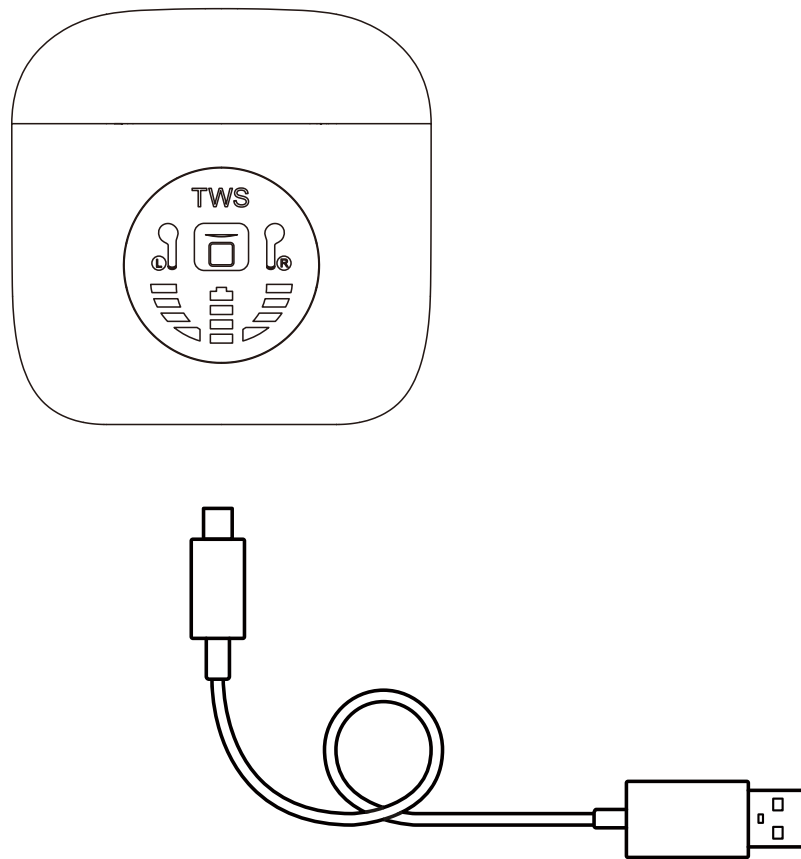
CALL OPERATIONS



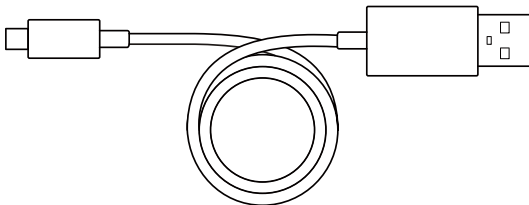
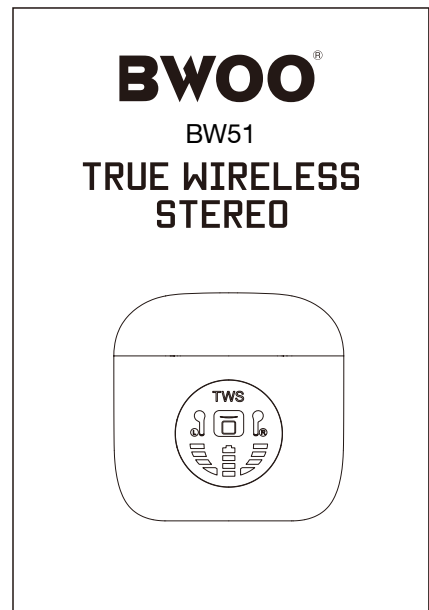
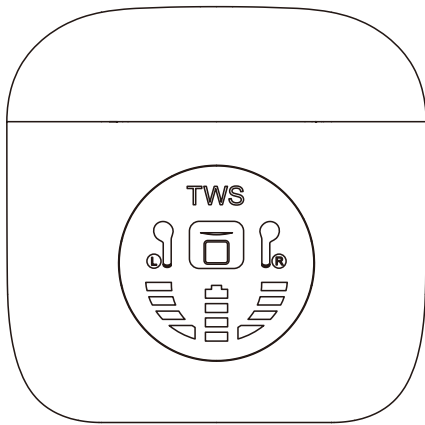
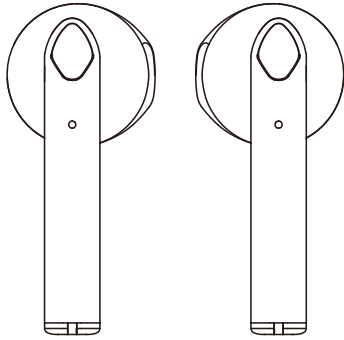
 Incoming call	● Single press	● Single press
 End call	● Single press	● Single press
Call rejection	● ● Double press	● ● Double press

CHARGING

Note: Please use the original charger wire to charge the headset. Do not use fast charging to avoid damage or reduce the service life of the headset.



BOX OVERVIEW



BWOO[®]

<https://bwoohk.com>