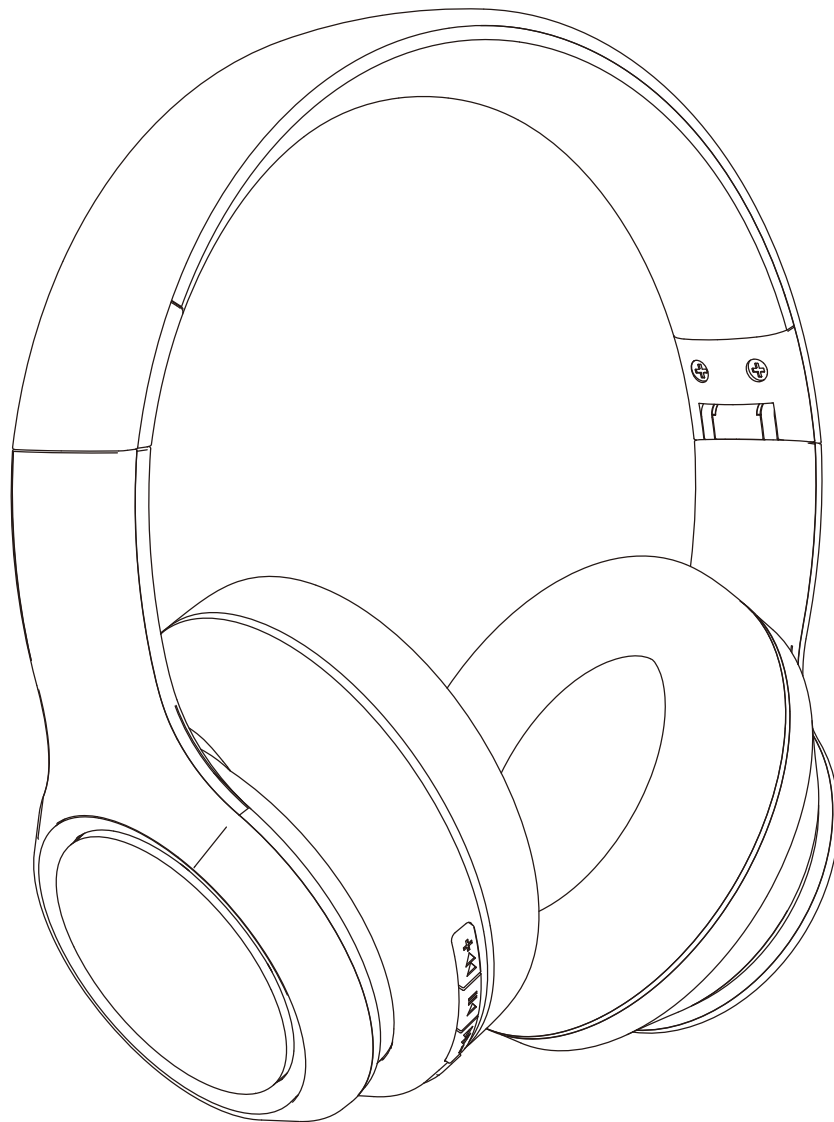


# BWOO<sup>®</sup>

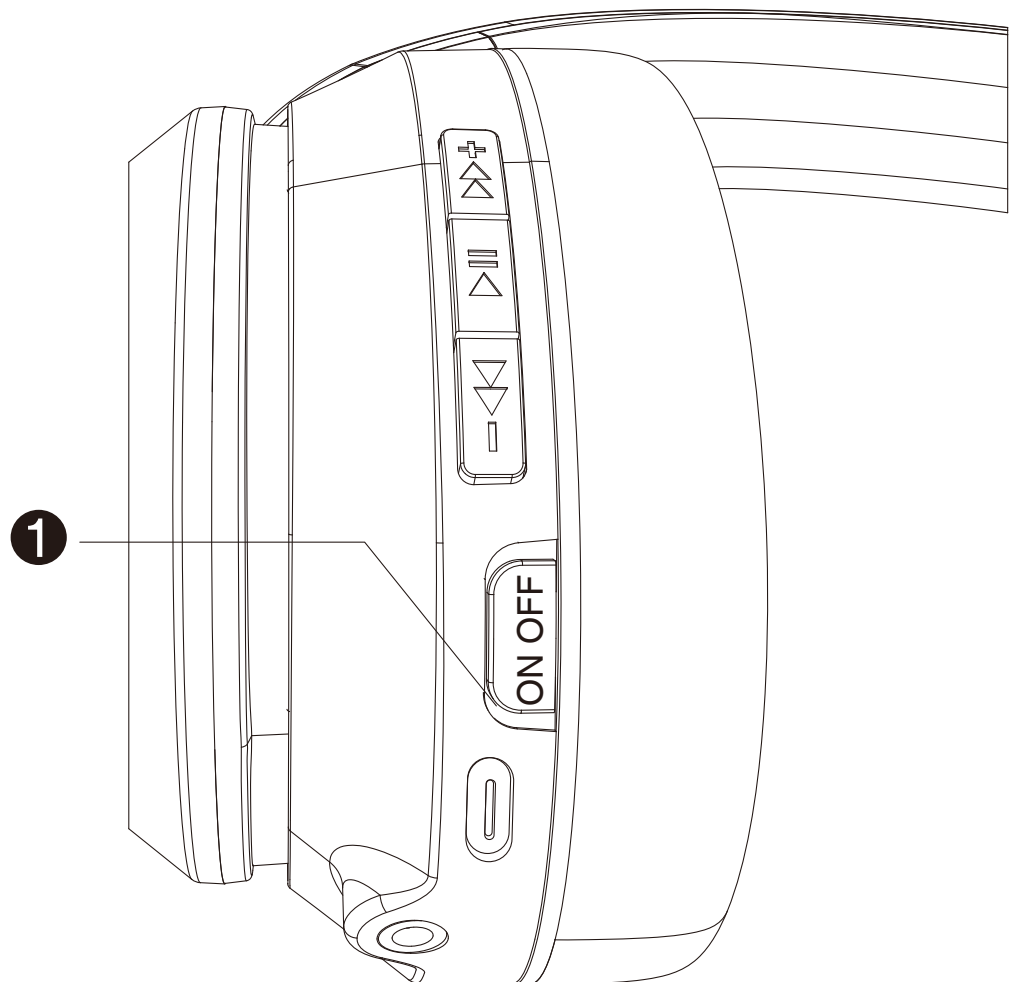
## WIRELESS HEADPHONES

BW580



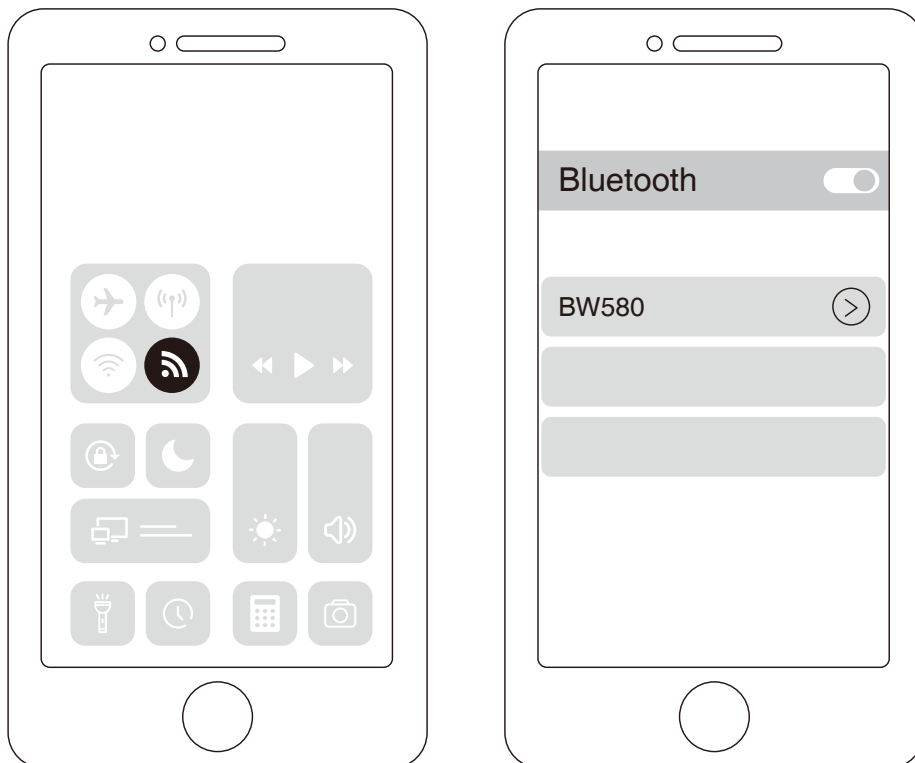
# 1. Power On, Pairing, And Connecting To Device

A. Slightly slide the on/off button to turn the headphone on/off



**B. Tunebuds will automatically enter pairing mode. Turn on bluetooth on the mobile phone, click search for the device Choose “BW580” to connect.**

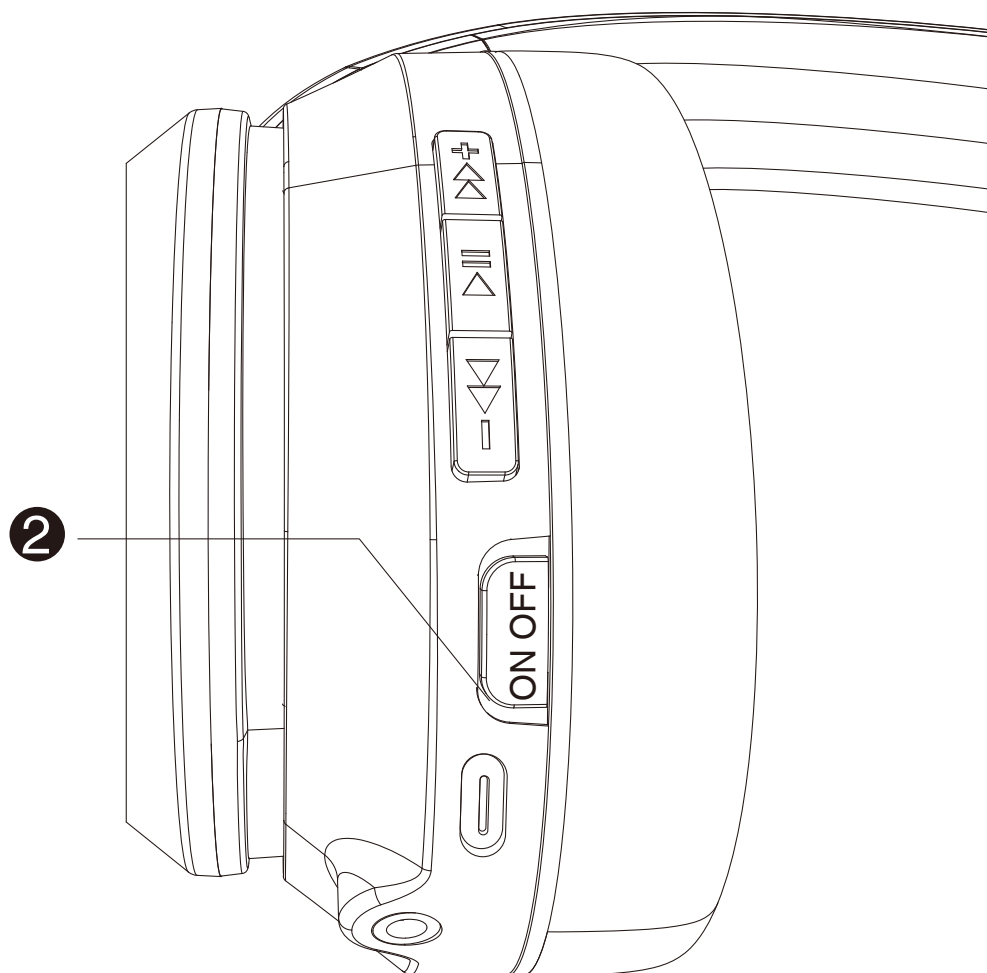
*Note: When BW580 and mobile phone are disconnected due to distance, Tunebuds will automatically attempt to reconnect for 3 minutes*



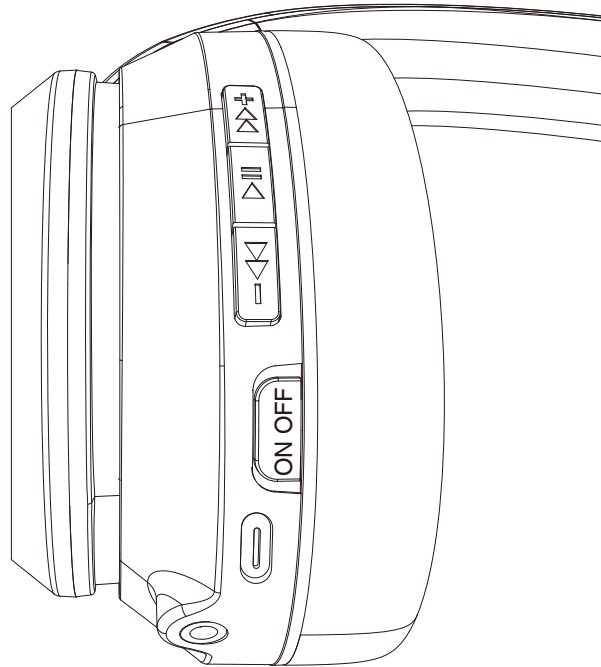
## 2. Power Off

Slightly slide the on/off button to off position to turn the headphone off BWO0 Bluetooth Headphone will automatically turn-off if:

- There is no connection in 5 minutes.
- When the battery is low

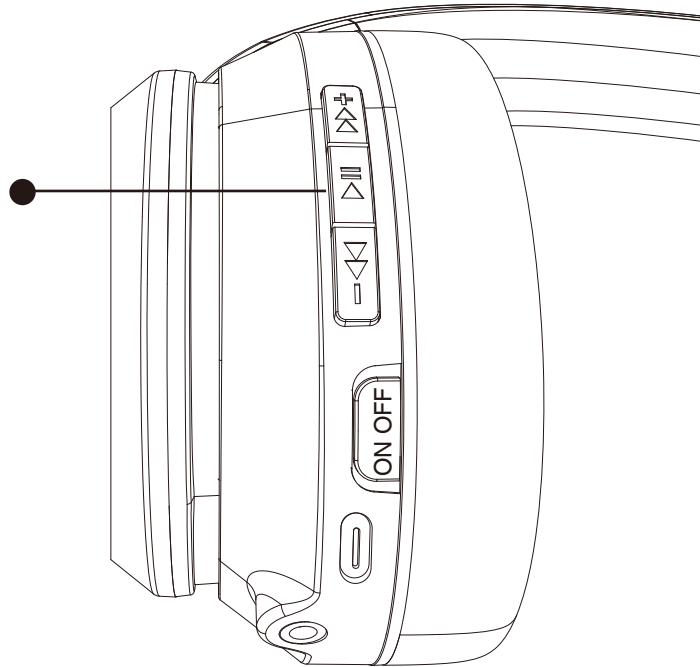




# MUSIC OPERATIONS



<b>▶   Play/Pause</b>	● Single press
<b>▶▶+ Next</b>	▬ Press and hold
<b>▶▶- Previous</b>	▬ Press and hold
<b>▶▶+ Volume</b>	● Single press
<b>▶▶- Volume</b>	● Single press
<b>▶   Start Voice Assistant</b>	▬ Press and hold

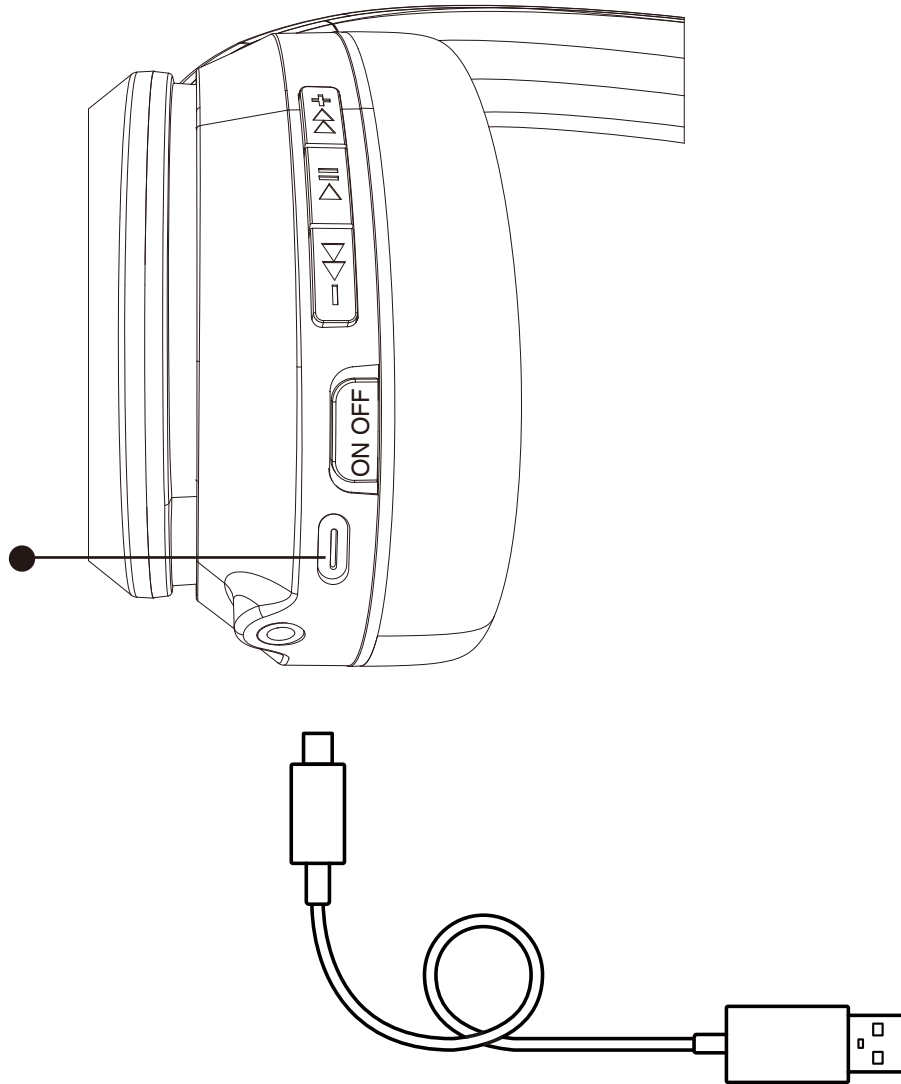
# CALL OPERATIONS



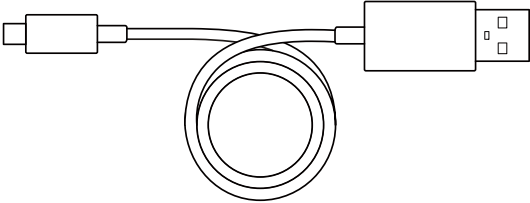
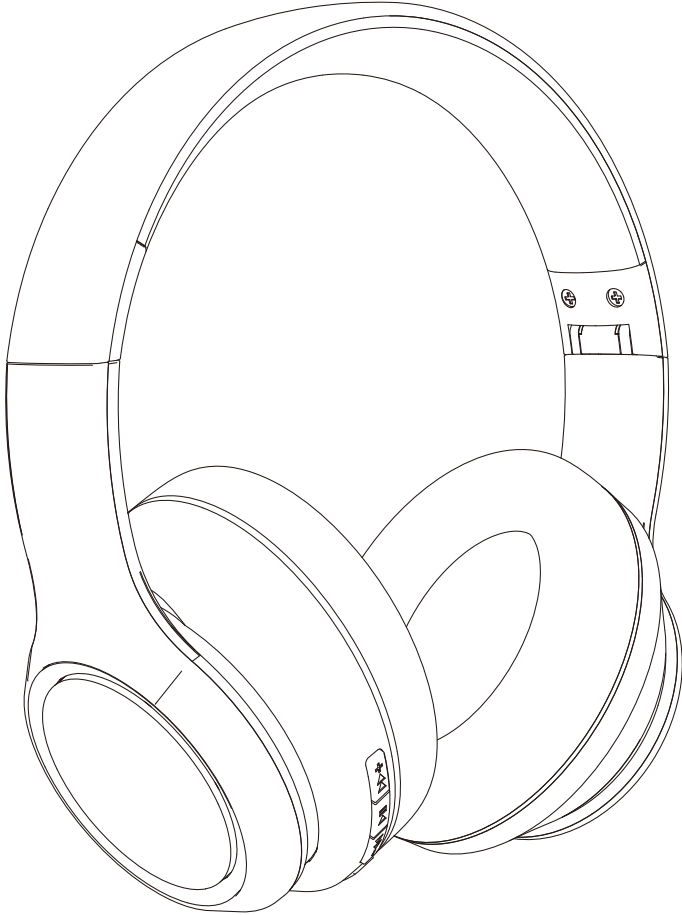
 <b>Incoming call</b>	● Single press
 <b>End call</b>	● ● Double press
<b>Call rejection</b>	▬ Press and hold
<b>call the last log number</b>	● ● Double press

## CHARGING

*Note: Please use the original charger wire to charge the headset. Do not use fast charging to avoid damage or reduce the service life of the headset.*



# BOX OVERVIEW





**BWOO<sup>®</sup>**

<https://bwoohk.com>